

The **Hydraulic Crawler Drill C9 XP** is a radio-controlled unit that can successfully drill into technically difficult conditions using a wide range of drilling methods. It is designed and manufactured for geotechnical SPT testing, anchoring systems, execution of soil and rock anchors and various micro piles and soil reinforcement by “Jet grouting” method.

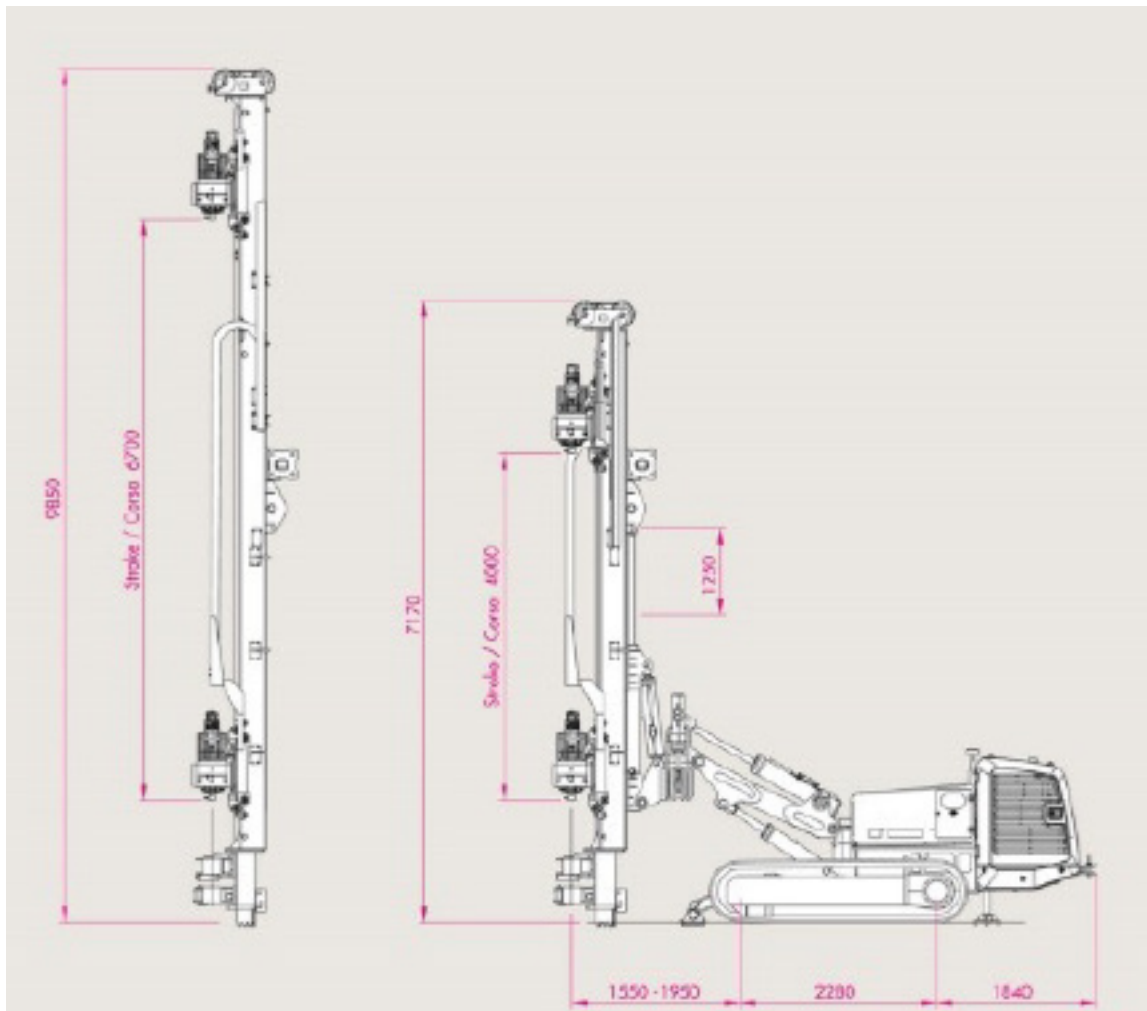
Methods include rotary drilling with mud, drilling with compressed air and the like.

#### Technical specifications:

- Working width: 2.250 mm
- Working length: 7.200 mm
- Working height: 8.700 mm
- Working weight: 14.000 kg
- Travel speed: 0 - 2,2 km/h



## DIMENSIONS



## TRANSPORT DIMENSIONS

